

NIS-3200-005G

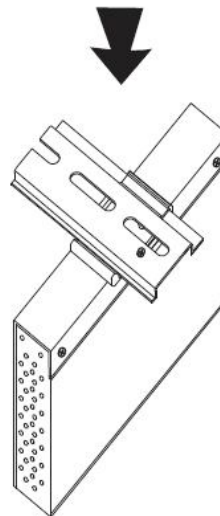
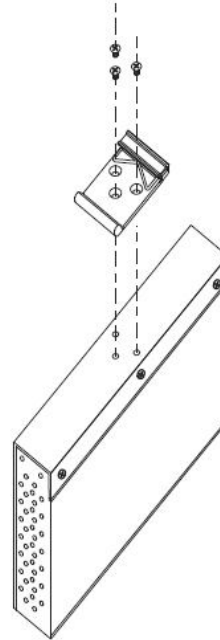
Промышленный коммутатор

Unmanaged: 5 10/100/1000Base-T, 12~48VDC, -40~70°C

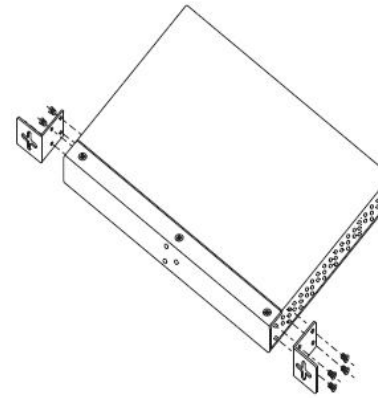
Specifications

Interface	5x10/100/1000Base-T(X)	4x10/100/1000Base-T(X) 1x1000Base-X SFP
Physical Ports		
10/100/1000 Base-T(X) Ports in RJ45 Auto MDI/MDIX	5	4
1000Base-X SFP Port	-	1
Technology		
Ethernet Standards	IEEE 802.3 for 10Base-T, IEEE 802.3u for 100Base-T(X) and 100Base-FX, IEEE 802.3z for 1000Base-X IEEE 802.3ab for 1000Base-T IEEE 802.3x for Flow control	
MAC Table	1024 MAC addresses	
Processing	Store-and-Forward	
LED indicators		
Power indicator	Green: Power LED x2	
Fault Indicator	Amber: Indicate PWR1 or PWR2 failure	
10/100/1000Base-T(X) RJ45 Port Indicator	Green: Link/Act Amber: 100 Mbps indicator	
1000Base-X SFP port indicator	-	Green for port Link/Act
Fault contact		
Relay	Relay output to carry capacity of 1A at 24VDC	
Power		
Redundant Input power	Dual DC inputs. 12-48VDC on 6-pin terminal block.	
Power consumption(Typ.)	5.5 Watts	
Reverse polarity protection	Present	
Overload current protection	Present	
Physical Characteristic		
Enclosure	IP-30	
Dimension (W x D x H)	26.1(W) x 95(D) x 144.3(H) mm (1.30 x 3.74 x 5.68 inch)	
Weight (g)	420g	403g
Environmental		
Storage Temperature	-40 to 85°C (-40 to 185°F)	
Operating Temperature	-40 to 70°C (-40 to 158°F)	
Operating Humidity	5% to 95% Non-condensing	
Regulatory approvals		
EMI	FCC Part 15, CISPR (EN55022) class A	
EMS	EN61000-4-2 (ESD), EN61000-4-3 (RS), EN61000-4-4 (EFT), EN61000-4-5 (Surge), EN61000-4-6 (CS), EN61000-4-8, EN61000-4-11	
Shock	IEC60068-2-27	
Free Fall	IEC60068-2-32	
Vibration	IEC60068-2-6	
Safety	EN60950-1	

Din-Rail Install Step

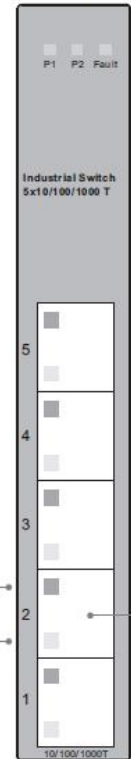


Wall-mounted Install Step



Front Panel

5x10/100/1000Base-T(X)

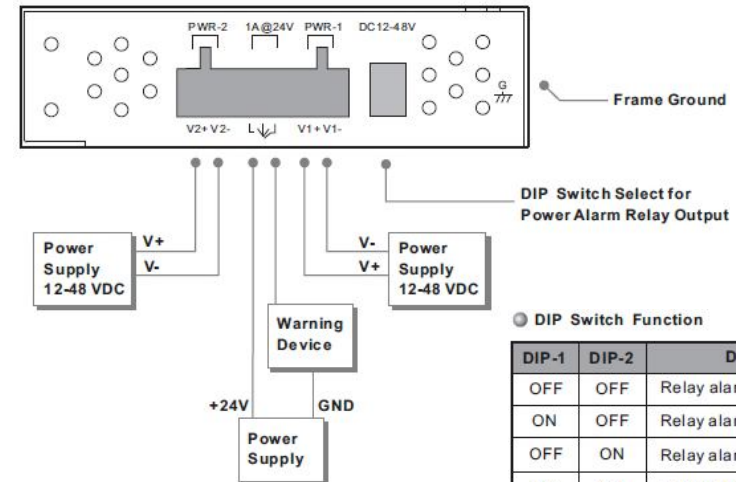


Green: Link/Act

Amber: 100 Mbps indicator

A

Power Connection Guide



DIP Switch Function

DIP-1	DIP-2	Description
OFF	OFF	Relay alarm disabled
ON	OFF	Relay alarm enabled for PWR-1
OFF	ON	Relay alarm enabled for PWR-2
ON	ON	Relay alarm enabled for PWR-1 or PWR-2