

# NIS-3200-008T

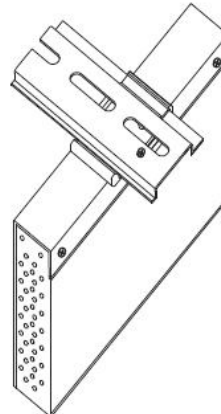
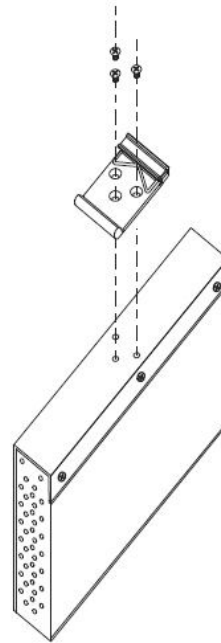
## Промышленный коммутатор

Unmanaged: 8 10/100Base-TX, 12~48VDC, -40~70°C

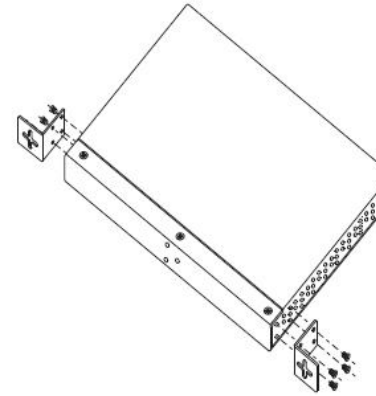
### Specifications

Switch Model	8x 10/100Base-T(X)
<b>Physical Ports</b>	
10/100 Base-T(X) Ports in RJ45 Auto MDI/MDIX	8
<b>Technology</b>	
Ethernet Standards	IEEE 802.3 for 10Base-T, IEEE 802.3u for 100Base-TX, IEEE 802.3x for Flow control
MAC Table	2048 MAC addresses
Processing	Store-and-Forward
<b>LED Indicators</b>	
Power indicator	Green: Power LED x 2
Fault indicator	Amber: Indicate PWR1 or PWR2 failure
10/100Base-T(X) RJ45 port indicator	Green for port Link/Act: Amber for Duplex/Collision indicator
<b>Fault Contact</b>	
Relay	Relay output to carry capacity of 1A at 24VDC
<b>Power</b>	
Redundant input power	Dual DC inputs. 12-48VDC on 6-pin terminal block
Power consumption(Typ.)	4 Watts
Reverse polarity protection	Present
Overload current protection	Present on terminal block
<b>Physical Characteristic</b>	
Enclosure	IP-30
Dimension (W x D x H)	26.1(W) x 94.9(D) x 144.3(H) mm (1.03 x 3.74 x 5.68 inch.)
Weight (g)	391g
<b>Environmental</b>	
Storage temperature	-40 to 85°C (-40 to 185°F)
Operating temperature	-40 to 70°C (-40 to 158°F)
Operating humidity	5% to 95% Non-condensing
<b>Regulatory approvals</b>	
EMI	FCC Part 15, CISPR (EN55022) class A
EMS	EN61000-4-2 (ESD), EN61000-4-3 (RS), EN61000-4-4 (EFT), EN61000-4-5 (Surge), EN61000-4-6 (CS), EN61000-4-8, EN61000-4-11
Shock	IEC60068-2-27
Free Fall	IEC60068-2-32
Vibration	IEC60068-2-6
Safety	EN60950-1

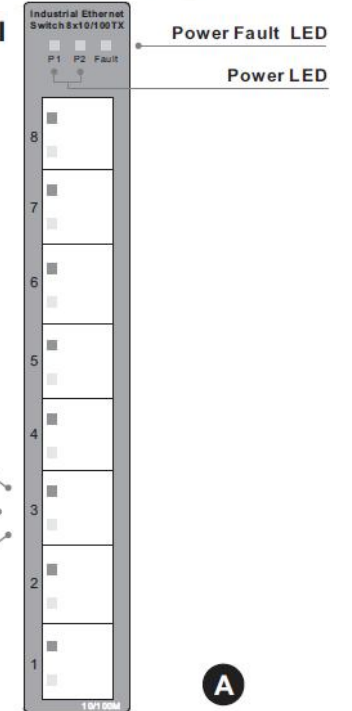
#### Din-Rail Install Step



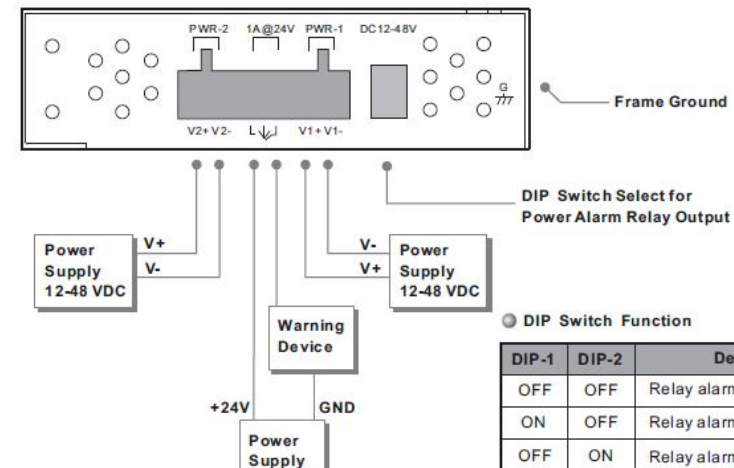
#### Wall-mounted Install Step



#### Front Panel



#### Power Connection Guide



#### DIP Switch Function

DIP-1	DIP-2	Description
OFF	OFF	Relay alarm disabled
ON	OFF	Relay alarm enabled for PWR-1
OFF	ON	Relay alarm enabled for PWR-2
ON	ON	Relay alarm enabled for PWR-1 or PWR-2