

Data Sheet

Peltier-Control Cabinet Cooler, Standard DC Series FL-208-C

NSGate

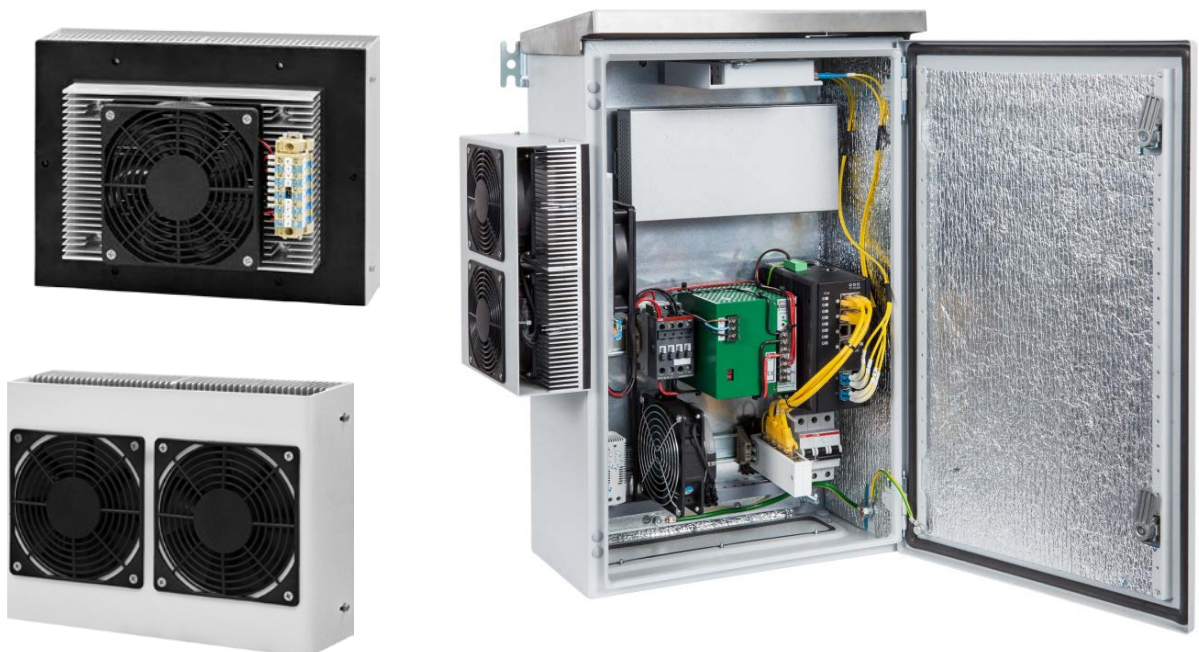


S-0000194-002-a

Thermoelectric Cooling Systems (TCS) are designed to divert an excess heat from the electronic equipment installed inside a closed enclosure with IP66 protection. TCS is a thermoelectric module, working on the basis of the Peltier effect.

There are many advantages of TCS over conventional compressor:

- TCS can be controlled electronically.
- TCS are easily reversible by reversing the polarity of Power supply.
- TCS can work in the most adverse environmental conditions:
 - in high ambient temperatures or heavily polluted ambient air;
 - in application with vibrations or strong accelerations.

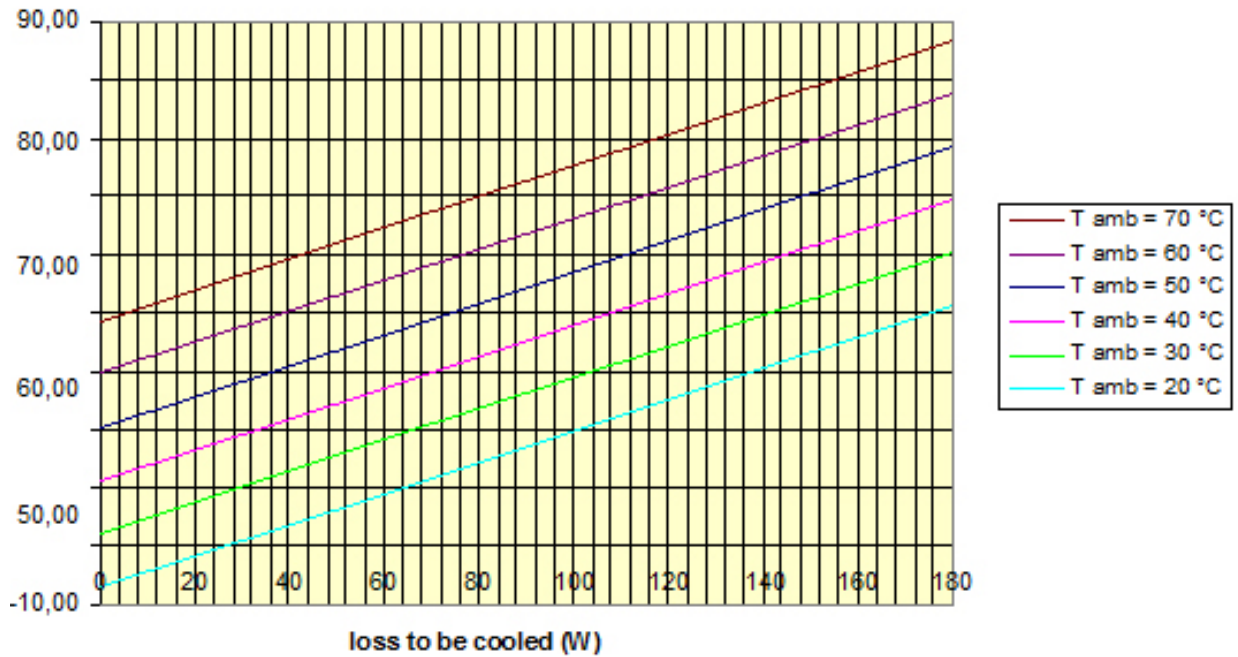


Technical Data

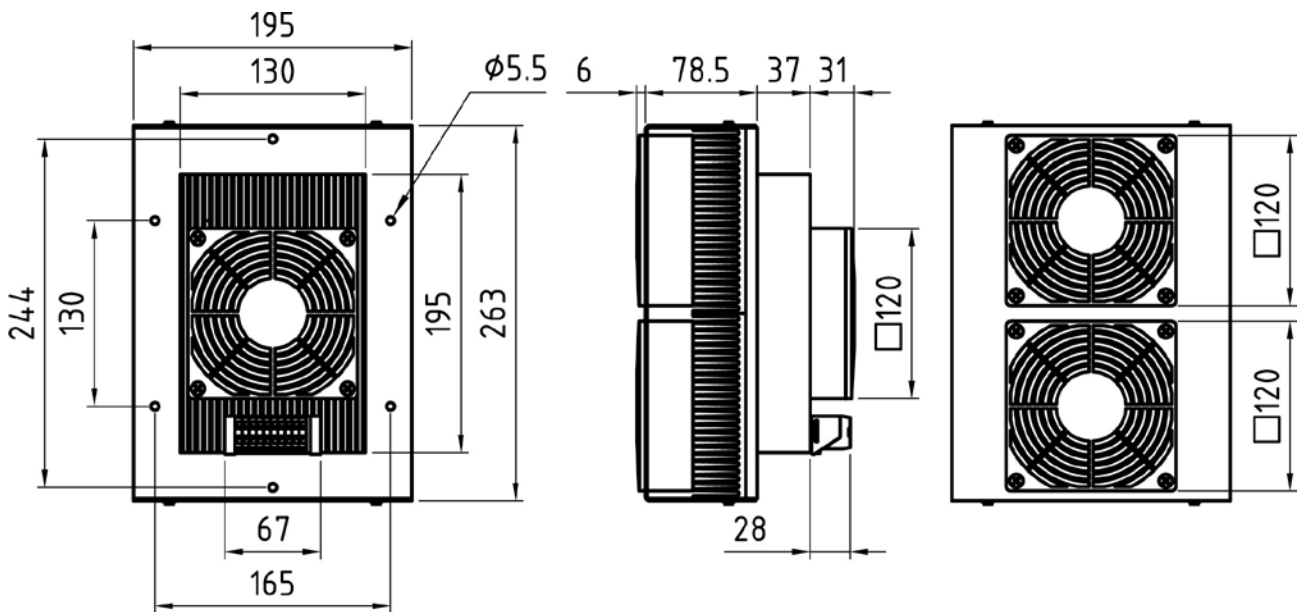
Supply voltage	24 V-DC / 48 V-DC
Rated input	100 W
max. input current	7 A
Weight	ca. 5 kg
Protection Classification outer side (warm)	IP67
Protection Classification internal side (cold)	IP20
Operational temperature range	-40 °C to 70 °C
Storage temperature range	-40 °C to 70 °C
Alarm transductor	make-contact, max. 30 V-DC, 5 A
Switch point fault message	+80°C (+/- 5°C) heat sink temperature
Switch point safety shutdown	+90°C (+/- 5°C) heat sink temperature

Performance range:

Performance curve FL-208-C

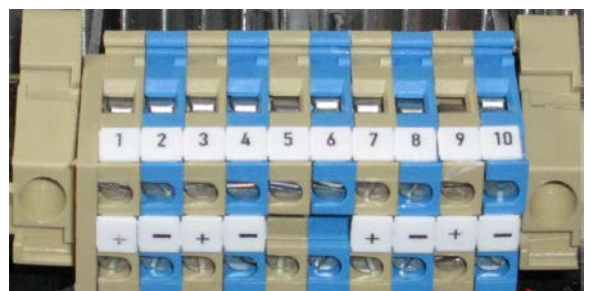


Main dimensions:

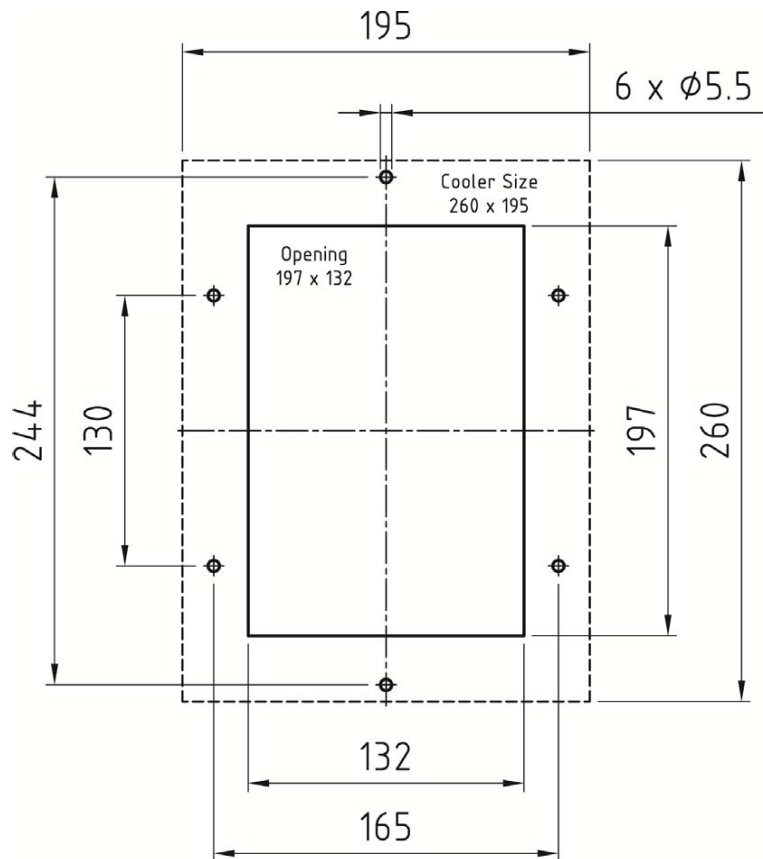


Terminal assignment:

Terminal	Connection
1	Peltier-Elements (+)
2	Peltier-Elements (-)
3	Peltier-Elements (+)
4	Peltier-Elements (-)
5	Alarm transductor (NO contact)
6	Alarm transductor (NO contact)
7	External fans (+)
8	External fans (-)
9	Internal fan (+)
10	Internal fan (-)



Opening:



The product „Control Cabinet Cooler – FL-208-C“ has been given the CE mark on the basis of the Directive 89/336/EEC of the Council of the European Community of 29 April 1991 for harmonization of legislation of member-states on communication systems including mutual recognition of their conformity.

This product has been designed for use with power packs bearing the CE mark.

The product „Control Cabinet Cooler – FL-208-C“ meets the requirements for a CE mark:

Interference immunity to EN 50082-2

Electromagnetic compatibility; basic standard on interference immunity

Radio interference suppression to EN 55022 Class A

Electromagnetic compatibility of equipment for information processing and telecommunication

Electric safety to EN 60950

Safety of equipment of information engineering including electric office machines.

This product has been designed for use in industrial applications. Interference immunity and the rate of emitted interference are in conformity with the directives on industrial equipment. When the product is used in residential homes and business offices interference with other equipment items (e.g. radio receivers) might occur. The user shall ensure itself that no third party will be exposed to any interference.

This declaration is delivered in the responsibility of the manufacturer

DR. NEUMANN
Peltier-Technik GmbH
Gautinger Str. 45
D-82061 Neuried
Germany