



APPLICATION

Installed at remote terminal of SDSL line in customer's premises to split voice and data

FEATURES

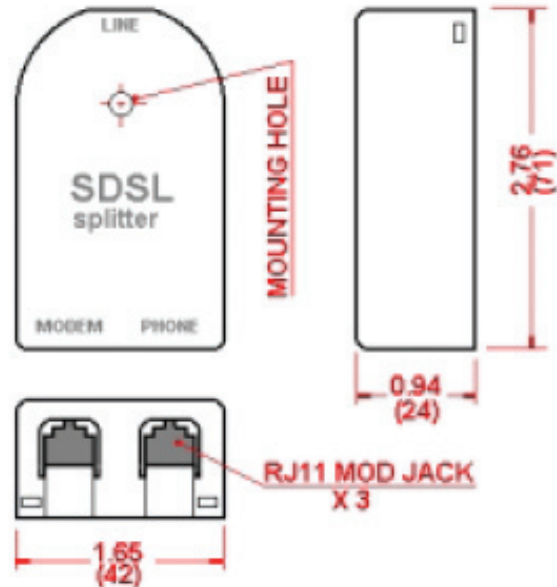
- Provides one dedicated phone line in addition to SDSL data line not interrupted even when power failure
- Compact and well matching cosmetic design
- Easy installation
- Surge protected

SPECIFICATIONS

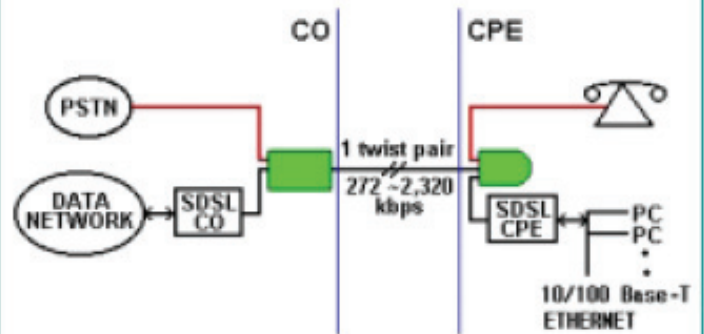
- Max transmission length keeping 2.3Mbps of data speed : 2.7 km(8,900 ft) based on point to point single connection with AWG24 cable.
- Characteristic Impedance :
 - voice path : 600 Ohm
 - SDSL data path : 135 Ohm
- Insertion Loss @ 1004 Hz : 1.0 dB Max.
- Attenuation
 - @ 30 - 1104 kHz : 65.0 dB Min.
- Attenuation Distortion
 - @ 0.2 - 4.0 kHz : +/- 1.0 dB Max.
- Delay Distortion
 - @ 0.6 - 3.4 kHz : 200us Max.
 - @ 0.2 - 4.0 kHz : 250us Max.
- Return Loss : 20 dB Min.
- DC Resistance : 25.0 Ohm max.
- DC current superpose capacity : 100 mA
- Insulation Resistance Between TIP-RING : 10 MOhm Min.

OUTLINE DRAWING

UNIT: INCH(mm)



BLOCK DIAGRAM



- CO: Central Office
- CPE : Customer Premises Equipment
- SDSL: Symmetric Digital Subscriber Line
- POTS: Plain Old Telephone Service
- PSTN : Public Switched Telephone Network
- : CO SDSL POTS Splitter
- : RT SDSL POTS Splitter